

# FUTURA PRO AUTOMOTIVE KIT



PER:  
FOR:

**AUDI (D)**  
**FORD (D)**  
**PORSCHE (D)**  
**SEAT (E)**  
**SKODA (CZ)**  
**VOLKSWAGEN (D)**



HU66MH

HU66P

HU66AT5  
HU66AT6

HU66EHP

HU66T5  
HU66T6

HU66T10 HU66CT5  
HU66T15 HU66DT5  
HU66T23 HU66CT6  
HU66T26 HU66BT1  
HU66T28 HU66BT15  
HU66TE HU66BT28

HU66FH

HU75T

HUF (D) - WITTE (D)

STANDARD



**D744023ZB**

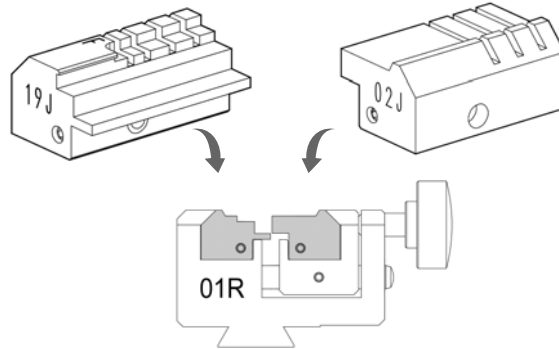
19J Jaw  
Ganascia 19J  
19J Backe  
Mâchoire 19J  
Quijada 19J  
Garra 19J

STANDARD



**D943254ZR**

02J Jaw  
Ganascia 02J  
02J Backe  
Mâchoire 02J  
Quijada 02J  
Garra 02J



STANDARD



**D747838ZB**

Cutter 01LW  
Fresa 01LW  
Fräser 01LW  
Fraise 01LW  
Fresa 01LW  
Fresa 01LW

OPTIONAL

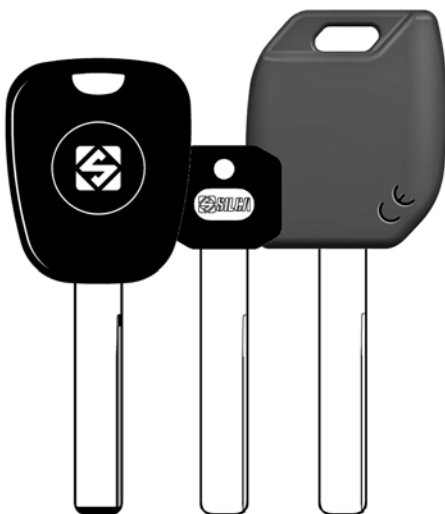


**D742606ZB**

Cutter 01L  
Fresa 01L  
Fräser 01L  
Fraise 01L  
Fresa 01L  
Fresa 01L

PER:  
FOR:

**BMW (D)**



HU92RP

HU92RKP

HU92RMH

STANDARD



**D943253ZR**

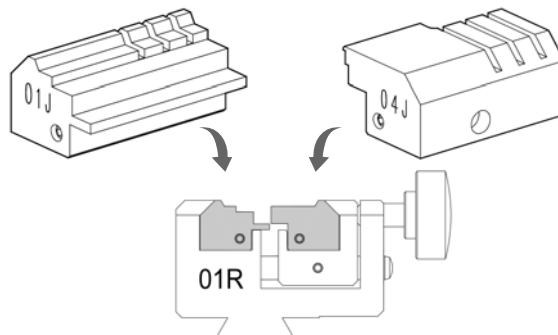
01J Jaw  
Ganascia 01J  
01J Backe  
Mâchoire 01J  
Quijada 01J  
Garra 01J

STANDARD



**D743256ZB**

04J Jaw  
Ganascia 04J  
04J Backe  
Mâchoire 04J  
Quijada 04J  
Garra 04J



STANDARD



**D747838ZB**

Cutter 01LW  
Fresa 01LW  
Fräser 01LW  
Fraise 01LW  
Fresa 01LW  
Fresa 01LW

OPTIONAL



**D742606ZB**

Cutter 01L  
Fresa 01L  
Fräser 01L  
Fraise 01L  
Fresa 01L  
Fresa 01L



# FUTURA PRO AUTOMOTIVE KIT



PER:  
FOR:

## CITROËN (F)

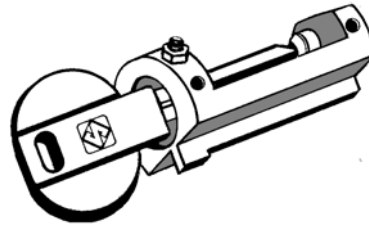


SX9CP SX9GP SX9T14 SX9MH

SX9AP SX10BP SX11BP SX9EHP  
SX9T6 SX9TE

VALEO - SIMPLEX (F)

STANDARD

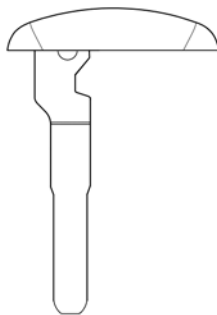


### D708040ZB

Code adaptor B6 for SIMPLEX  
Adattatore B6 a codice per chiavi SIMPLEX  
Code-Adapter B6 für SIMPLEX Schlüssel  
Adaptateur B6 à code pour clés SIMPLEX  
Adaptador B6 a código para llaves SIMPLEX  
Adaptador B6 por código para chaves SIMPLEX

PER:  
FOR:

## FORD (D)



(Escape model)

STANDARD



### D744023ZB

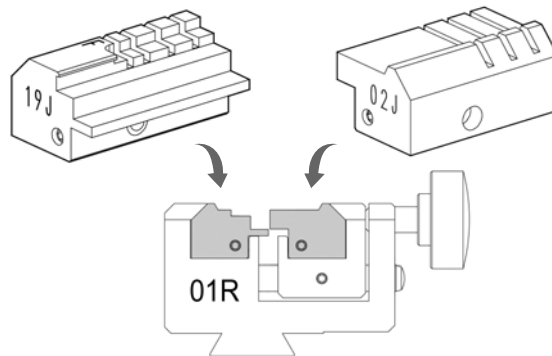
19J Jaw  
Ganascia 19J  
19J Backe  
Mâchoire 19J  
Quijada 19J  
Garra 19J

STANDARD



### D943254ZR

02J Jaw  
Ganascia 02J  
02J Backe  
Mâchoire 02J  
Quijada 02J  
Garra 02J



STANDARD



### D747838ZB

Cutter 01LW  
Fresa 01LW  
Fräser 01LW  
Fraise 01LW  
Fresa 01LW  
Fresa 01LW

OPTIONAL



### D742606ZB

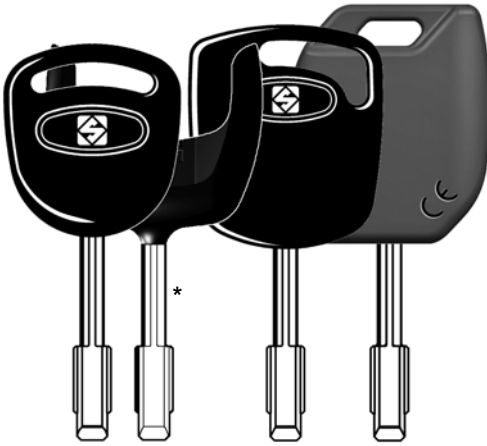
Cutter 01L  
Fresa 01L  
Fräser 01L  
Fraise 01L  
Fresa 01L  
Fresa 01L



# FUTURA PRO AUTOMOTIVE KIT



PER:  
FOR: **FORD (EU+USA)**

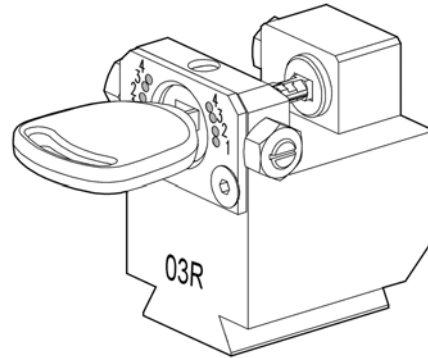


- FO21P
- FO21AP
- FO21T3
- FO21MH
- FO21EH1
- FO21EH2
- FO21T3M
- FO21T7
- FO21T17
- FO21TE
- FO21FH

\* **IMPORTANT!** Key blank to be applied to the original remote control (the remote control includes the transponder chip)

TIBBE (D)  
VALEO (F)

STANDARD



**D743276ZB**  
03R Clamp  
Morsetto 03R  
03R Spannbacke  
Etau 03R  
Mordaza 03R  
Mordente 03R

STANDARD



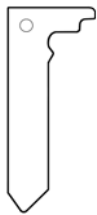
**D747838ZB**  
Cutter 01LW  
Fresa 01LW  
Fräser 01LW  
Fraise 01LW  
Fresa 01LW  
Fresa 01LW

OPTIONAL



**D742606ZB**  
Cutter 01L  
Fresa 01L  
Fräser 01L  
Fraise 01L  
Fresa 01L  
Fresa 01L

PER:  
FOR: **HONDA (J)**

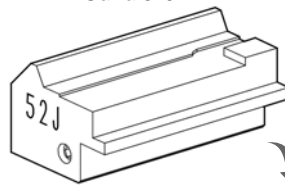


(N-BOX - N-ONE - N-VAGON)  
Emergency key

OPTIONAL



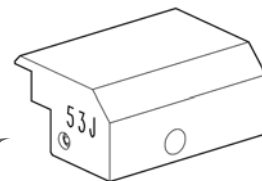
**D745037ZB**  
52J Jaw  
Ganascia 52J  
52J Backe  
Mâchoire 52J  
Quijada 52J  
Garra 52J



OPTIONAL



**D745039ZB**  
53J Jaw  
Ganascia 53J  
53J Backe  
Mâchoire 53J  
Quijada 53J  
Garra 53J



STANDARD



**D747838ZB**  
Cutter 01LW  
Fresa 01LW  
Fräser 01LW  
Fraise 01LW  
Fresa 01LW  
Fresa 01LW

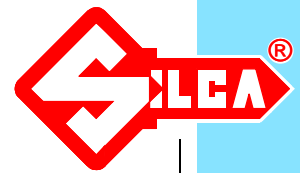
OPTIONAL



**D742606ZB**  
Cutter 01L  
Fresa 01L  
Fräser 01L  
Fraise 01L  
Fresa 01L  
Fresa 01L

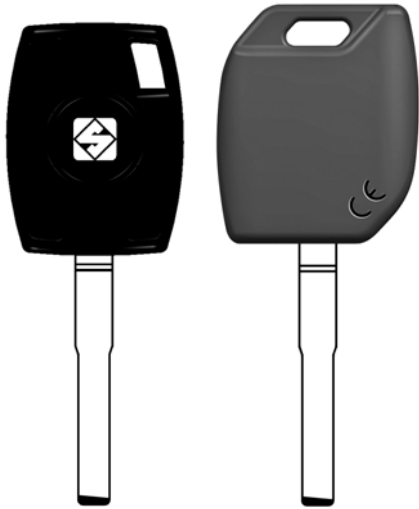


# FUTURA PRO AUTOMOTIVE KIT



PER:  
FOR:

## HUF (D)



HU101T17  
HU101T20  
HU101TE

HU101MH

HU101T  
HU101AP  
HU101EH  
HU101FH

STANDARD

**D744023ZB**



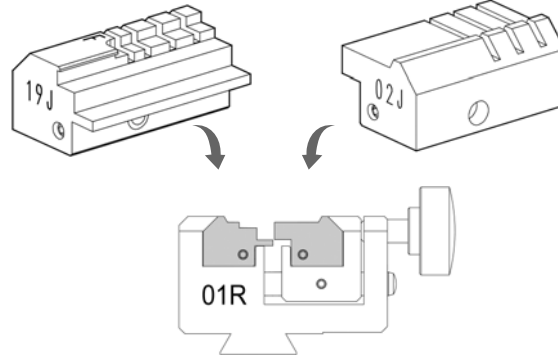
19J Jaw  
Ganascia 19J  
19J Backe  
Mâchoire 19J  
Quijada 19J  
Garra 19J

STANDARD

**D943254ZR**



02J Jaw  
Ganascia 02J  
02J Backe  
Mâchoire 02J  
Quijada 02J  
Garra 02J



STANDARD



**D747838ZB**

Cutter 01LW  
Fresa 01LW  
Fräser 01LW  
Fraise 01LW  
Fresa 01LW  
Fresa 01LW

OPTIONAL



**D742606ZB**

Cutter 01L  
Fresa 01L  
Fräser 01L  
Fraise 01L  
Fresa 01L  
Fresa 01L

PER:  
FOR:

## HUF (D)



HU162T  
(4T - 8W)

VOLKSWAGEN  
SKODA

STANDARD

**D746461ZB**



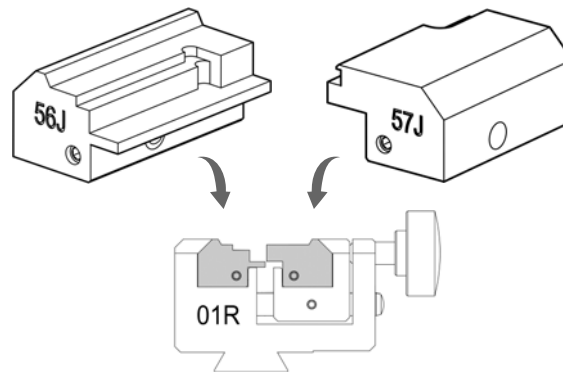
56J Jaw  
Ganascia 56J  
56J Backe  
Mâchoire 56J  
Quijada 56J  
Garra 56J

STANDARD

**D746467ZB**



57J Jaw  
Ganascia 57J  
57J Backe  
Mâchoire 57J  
Quijada 57J  
Garra 57J



STANDARD



**D747839ZB**

Cutter 02LW  
Fresa 02LW  
Fräser 02LW  
Fraise 02LW  
Fresa 02LW  
Fresa 02LW

OPTIONAL



**D743671ZB**

Cutter 02L  
Fresa 02L  
Fräser 02L  
Fraise 02L  
Fresa 02L  
Fresa 02L



# FUTURA PRO AUTOMOTIVE KIT



PER:  
FOR: **MERCEDES (D)**



HU41P

HU55P  
HU61AP

HU64P  
HU64T  
HU65AP

HUF (D)

STANDARD



**D943253ZR**

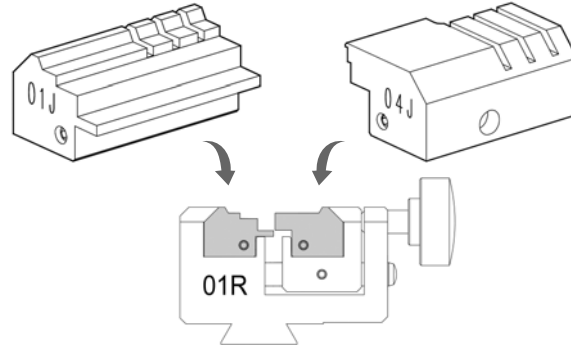
01J Jaw  
Ganascia 01J  
01J Backe  
Mâchoire 01J  
Quijada 01J  
Garra 01J



STANDARD **D743256ZB**



04J Jaw  
Ganascia 04J  
04J Backe  
Mâchoire 04J  
Quijada 04J  
Garra 04J



STANDARD



**D747838ZB**

Cutter 01LW  
Fresa 01LW  
Fräser 01LW  
Fraise 01LW  
Fresa 01LW  
Fresa 01LW

OPTIONAL

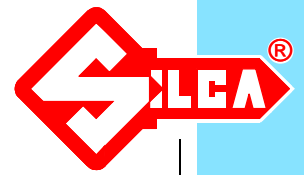


**D742606ZB**

Cutter 01L  
Fresa 01L  
Fräser 01L  
Fraise 01L  
Fresa 01L  
Fresa 01L



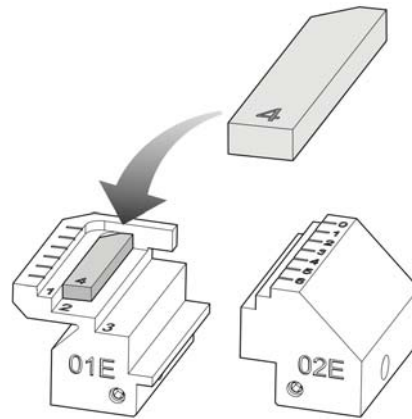
# FUTURA PRO AUTOMOTIVE KIT



PER: ENGRAVING  
FOR:



OPTIONAL



**D750763ZB**  
 Adapter plane 4  
 Adattatore sede 4  
 Adapter Ebene 4  
 Adaptateur emplacement 4  
 Adaptador alojamiento 4  
 Adaptador alojamiento 4

**D748737ZB**  
 01E Jaw  
 Ganascia 01E  
 01E Backe  
 Mâchoire 01E  
 Quijada 01E  
 Garra 01E

**D748739ZB**  
 02E Jaw  
 Ganascia 02E  
 02E Backe  
 Mâchoire 02E  
 Quijada 02E  
 Garra 02E



**D748741ZB**  
 Cutter 18DW  
 Fresa 18DW  
 Fräser 18DW  
 Fraise 18DW  
 Fresa 18DW  
 Fresa 18DW

PLANE	WIDTH of the object to be engraved	ENGRAVING AREA (max.)
1	min 26 - max 32 mm	32 mm x 40 mm
2	min 20 - max 26 mm	24 mm x 36,5 mm
3	min 8 - max 14 mm	12 mm x 36,5 mm
4	min 14 - max 20 mm	18 mm x 36,5 mm

Thickness of the object to be engraved: max.5,2 mm

