

SILCA MAGAZINE

Silca Original Cutters

A brand new high quality
and wide range for
Professional Key
Cutters.

Discover the new Silca
Cutters Range!



Silca Your Key Partner

New **Silca** Original Cutters Catalogue



New Original Cutters Catalogue

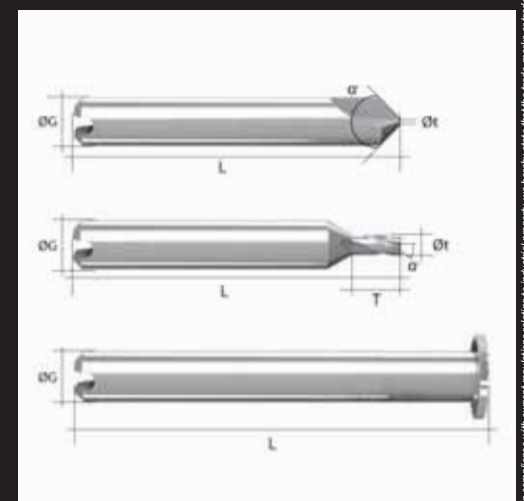
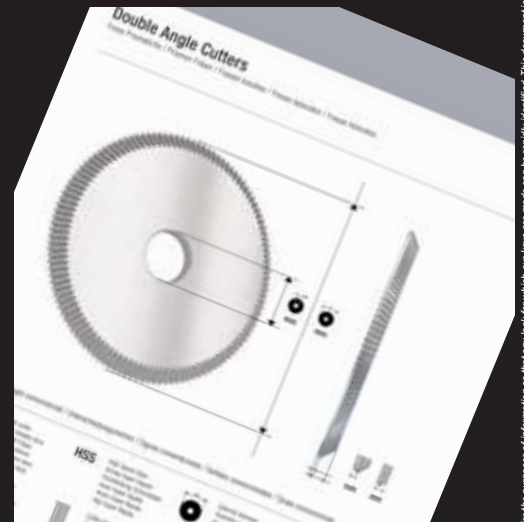
A brand new high quality and wide range for Professional Key Cutters

Discover the new Silca Cutters Range and the New Catalogue

High quality raw materials, dimensions, finishes, long lasting duration, resistance and packaging quality, are the primary characteristics of original Silca cutters.



- Double Angle Cutters
- Milling Slot Cutters
- Cutters and Tracer Points for Electronic Key Cutting Machines
- Cutters and Tracer Points for Mechanic Key Cutting Machines



Silca Your Key Partner

SILCA S.p.A. Via Podgora, 20 (Z.I.) - 31029 Vittorio Veneto (TV) - Italy
Telephone +39 0438 9136 Fax +39 0438 913800

www.silca.biz



In compliance with current regulations relating to industrial property, we hereby state that the trade-marks or trade names mentioned in this document are the exclusive property of authorized manufacturers of locks and users. Said trade-marks or trade names are nominated only for the purposes of information so that any lock for which our keys are made can be rapidly identified. This document is reserved exclusively for professional key cutters who use Silca products. All information and illustrations in this document are for guidance only. Silca reserves the right to alter products designs, dimensions or fit to improve the products quality. The contents of this document are fully protected by copyright and may not be copied or reproduced in any form, without written permission from Silca S.p.A. Any controversy shall be settled by the Courts of Udine, where the company has its headquarters, with express exclusion of any other court.