

New keys / Chiavi nuove / Neue Schlüssel / Nouvelles clés  
Llaves nuevas / Chaves nuevas

**FOR:**  
**PER:**

## MAGNUM

P433  
4+3+4  
S1246

**MGN1RP**

<b>FOR / PER</b>
MAGNUM (GB)
S-TECH (GB)
KIA (ROK)

**FOR:**  
**PER:**

## S-TECH

1549

**SCH1R**

**FOR:**  
**PER:**

## KIA

6+6+6+6  
S1001  
S1122

**KIA8T**

K . . . . 0001-2500  
P . . . . 0001-2500



[www.silca.biz](http://www.silca.biz)

**01**

COMMERCIAL GROUP  
GRUPPO COMMERCIALE  
PREISEGRUPPE  
GRUPE COMMERCIAL  
GRUPO COMERCIAL

## SOFTWARE NEWS



## SILCA KEY PROGRAMS

### SILCA KEY PROGRAMS JANUARY 2011

NEW

SKP  
JAN. 2011

#### NEW WEB Solution

WEB from January 2011

UPDATES

SKP

First distribution (DVD) + WEB Updates  
(from January 2011)

#### Silca Key Programs new items from January 2011

- The Silca Key Programs program will be available only on DVD (**CD-ROM no longer available**);
- Later updates - To update there will be a choice of the following methods:
  - **update by DVD (DVD Solution);**
  - **update by WEB (WEB Solution).**

Operating Systems run	Windows® 2000, Windows® XP, Windows VISTA™ and Windows® 7
Operating Systems not run	Windows® 95, Windows® ME, Windows® 98 and Windows® NT

#### Novità Silca Key Programs da gennaio 2011

- Il programma Silca Key Programs sarà disponibile solo su supporto elettronico DVD (**non più CD-ROM**)\*;
- Aggiornamenti successivi - Per gli aggiornamenti sarà possibile scegliere tra le seguenti modalità:
  - **aggiornamento tramite DVD (DVD Solution);**
  - **aggiornamento tramite WEB (WEB Solution).**

Sistemi Operativi Supportati	Windows® 2000, Windows® XP, Windows VISTA™ e Windows® 7
Sistemi Operativi non supportati	Windows® 95, Windows® ME, Windows® 98 e Windows® NT

\* Lo spazio di memorizzazione dei Cdroms non risulta essere più sufficiente a contenere la totalità dei dati e degli applicativi software contenuti negli aggiornamenti Software Silca. Ci vediamo costretti, per tale ragione, a trasferire i nostri aggiornamenti su supporto DVD.

#### Neuheiten Silca Key Programs an Januar 2011

- Das Programm Silca Key Programs steht nur auf elektronischen DVD (**nicht mehr CD-ROM**);
- Spätere Aktualisierungen - Für die Aktualisierungen können folgende Modalitäten gewählt werden:
  - **Aktualisierung mit DVD (DVD Solution);**
  - **Aktualisierung über WEB (WEB Solution).**

Unterstützte Betriebssysteme	Windows® 2000, Windows® XP, Windows VISTA™ und Windows® 7
Nicht unterstützte Betriebssysteme	Windows® 95, Windows® ME, Windows® 98 und Windows® NT

**EASY FAST EFFICIENT**

#### WEB UPDATES

SOFTWARE SUBSCRIPTIONS 2011 / ABBONAMENTI SOFTWARE 2011 / ABONNEMENTS SOFTWARE 2011  
ABONNEMENTS LOGICIEL 2011 / SUBSCRIPCIONES SOFTWARE 2011 / SUBSCRIÇÕES SOFTWARE 2011



<b>D738729ZW</b> SW-WEB SUB.2011 SCP (U2-3)
<b>D738730ZW</b> SW-WEB SUB.2011 LIC. SCP (U2-3)
<b>D738731ZW</b> SW-WEB SUB.2011+OLD SCP (U2-3)
<b>D738732ZW</b> SW-WEB SUB.2011+OLD LIC. SCP (U2-3)
<b>D738733ZW</b> SW-WEB SUB.2011 TRIAX-Q.CODE PRG (V)
<b>D738734ZW</b> SW-WEB SUB.2011 LIC. TRIAX-Q.CODE PRG (V)
<b>D738735ZW</b> SW-WEB SUB.2011+OLD TRIAX-Q.CODE PRG (V)
<b>D738736ZW</b> SW-WEB SUB.2011+OLD LIC.TRIAX-Q.CODE PRG (V)

<b>D738737ZW</b> SW-WEB SUB.2011 PRIMA LASER-IDEA PRG (V)
<b>D738738ZW</b> SW-WEB SUB.2011 LIC P.LASER-IDEA PRG (V)
<b>D738739ZW</b> SW-WEB SUB.2011+OLD P.LASER-IDEA PRG (V)
<b>D738740ZW</b> SW-WEB SUB.2011+OLD LIC. P.LASER-IDEA (V)
<b>D738741ZW</b> SW-WEB SUB.2011 KEY READER PRG (L)
<b>D738742ZW</b> SW-WEB SUB.2011 LIC. KEY READER PRG (L)
<b>D738743ZW</b> SW-WEB SUB.2011+OLD KEY READER PRG (L)
<b>D738744ZW</b> SW-WEB SUB.2011+OLD LIC. KEY READER PRG (L)

## SOFTWARE NEWS



## SILCA KEY PROGRAMS

### SILCA KEY PROGRAMS JANUARY 2011

**NEW**

**SKP  
JAN. 2011**

### DVD Solution

**UPDATES**

**SKP**

Distribution by DVD only  
(from January 2011)

### **🇫🇷 Nouveautés pour Silca Key Programs a partir de janvier 2011**

1. Le logiciel Silca Key Programs ne sera désormais disponible que sur un support électronique DVD (**non plus de CD-ROM**);
2. Mises à jour successives - Pour les mises à jour, vous pourrez opter pour un des modes suivants:
  - **mis à jour par le DVD (DVD Solution);**
  - **mis à jour par le Net WEB (WEB Solution).**

Systèmes d'exploitation supportés	Windows® 2000, Windows® XP, Windows VISTA™ et Windows® 7
Systèmes d'exploitation non supportés	Windows® 95, Windows® ME, Windows® 98 et Windows® NT

### **🇪🇸 Novedades Silca Key Programs a partir de enero 2011**

1. El programa Silca Key Programs estará disponible sólo en soporte electrónico DVD (**ya no CD-ROM**);
2. Actualizaciones sucesivas - Para las actualizaciones será posible elegir entre las siguientes modalidades:
  - **actualización por medio de DVD (DVD Solution);**
  - **actualización por medio de WEB (WEB Solution).**

Sistemas Operativos soportados	Windows® 2000, Windows® XP, Windows VISTA™ y Windows® 7
Sistemas Operativos no soportados	Windows® 95, Windows® ME, Windows® 98 y Windows® NT

### **🇵🇹 Novidade do Silca Key Programs a partir de Janeiro de 2011**

1. O programa Silca Key Programs estará disponível apenas em suporte electrónico DVD (**já não CD-ROM**);
2. Atualizações sucessivas - Para as atualizações será possível escolher entre as modalidades seguintes:
  - **atualização por meio de DVD (DVD Solution);**
  - **atualização através da WEB (WEB Solution).**

Sistemas Operativos suportados	Windows® 2000, Windows® XP, Windows VISTA™ e Windows® 7
Sistemas Operativos não suportados	Windows® 95, Windows® ME, Windows® 98 e Windows® NT

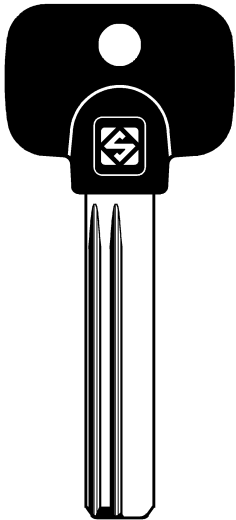
### DVD UPDATES

SOFTWARE SUBSCRIPTIONS 2011 / ABBONAMENTI SOFTWARE 2011 / ABONNEMENTS SOFTWARE 2011  
ABONNEMENTS LOGICIEL 2011 / SUBSCRIPCIONES SOFTWARE 2011 / SUBSCRIÇÕES SOFTWARE 2011



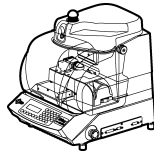
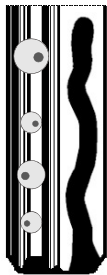
<b>D738729ZB</b>	SW-SUB.2011 SCP (U2-3)	<b>D738737ZB</b>	SW-SUB.2011 PRIMA LASER-IDEA PRG (V)
<b>D738730ZB</b>	SW-SUB.2011 LIC. SCP (U2-3)	<b>D738738ZB</b>	SW-SUB.2011 LIC P.LASER-IDEA PRG (V)
<b>D738731ZB</b>	SW-SUB.2011+OLD SCP (U2-3)	<b>D738739ZB</b>	SW-SUB.2011+OLD P.LASER-IDEA PRG (V)
<b>D738732ZB</b>	SW-SUB.2011+OLD LIC. SCP (U2-3)	<b>D738740ZB</b>	SW-SUB.2011+OLD LIC. P.LASER-IDEA (V)
<b>D738733ZB</b>	SW-SUB.2011 TRIAX-Q.CODE PRG (V)	<b>D738741ZB</b>	SW-SUB.2011 KEY READER PRG (L)
<b>D738734ZB</b>	SW-SUB.2011 LIC.TRIAX-Q.CODE PRG (V)	<b>D738742ZB</b>	SW-SUB.2011 LIC. KEY READER PRG (L)
<b>D738735ZB</b>	SW-SUB.2011+OLD TRIAX-Q.CODE PRG (V)	<b>D738743ZB</b>	SW-SUB.2011+OLD KEY READER PRG (L)
<b>D738736ZB</b>	SW-SUB.2011+OLD LIC.TRIAX-Q.CODE PRG (V)	<b>D738744ZB</b>	SW-SUB.2011+OLD LIC. KEY READER PRG (L)

FOR:  
PER: **MAGNUM (GB)**



**MGN1RP**

Magnum Superior  
(4+3+4P)



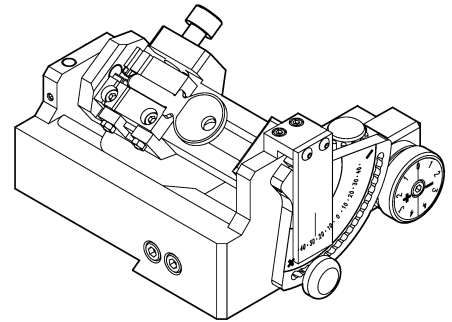
**TRIAX-E.CODE**

OPTIONAL



**D722937ZB**

Clamp R4  
Morsetto R4  
Spannbacken R4  
Etau R4  
Mordaza R4  
Mordente R4



**D908994ZR**

Tracer point U102  
Tastatore U102  
Taster U102  
Palpeur U102  
Palpador U102  
Palpador U102



**D728783ZB**

Cutter W142 (carbide)  
Fresa W142 (metallo duro)  
Fräser W142 (Hartmetall)  
Fraise W142 (au carbure)  
Fresa W142 (metal duro)  
Fresa W142 (metal duro)

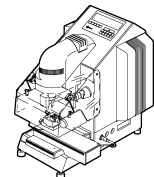


**D717483ZB**

Cutter W268 (carbide)  
Fresa W268 (metallo duro)  
Fräser W268 (Hartmetall)  
Fraise W268 (au carbure)  
Fresa W268 (metal duro)  
Fresa W268 (metal duro)



Starting from SKP Software version 17.1.0.37  
Dalla versione Software SKP 17.1.0.37  
Ab SKP Software Version 17.1.0.37  
À partir du software SKP version 17.1.0.37  
Desde software SKP versión 17.1.0.37  
A partir da versão software SKP 17.1.0.37



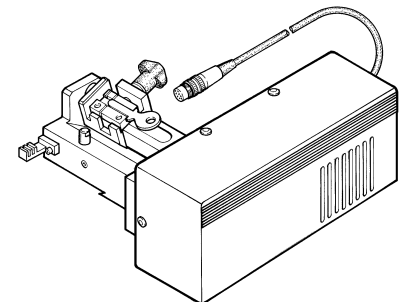
**QUATTROCODE**

OPTIONAL



**D708715ZB**

Clamp J4  
Morsetto J4  
Spannbacken J4  
Etau J4  
Mordaza J4  
Mordente J4



**D728783ZB**

Cutter W142 (carbide)  
Fresa W142 (metallo duro)  
Fräser W142 (Hartmetall)  
Fraise W142 (au carbure)  
Fresa W142 (metal duro)  
Fresa W142 (metal duro)

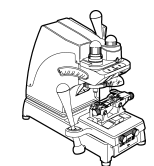


**D717483ZB**

Cutter W268 (carbide)  
Fresa W268 (metallo duro)  
Fräser W268 (Hartmetall)  
Fraise W268 (au carbure)  
Fresa W268 (metal duro)  
Fresa W268 (metal duro)



Starting from SKP Software version 17.1.0.37  
Dalla versione Software SKP 17.1.0.37  
Ab SKP Software Version 17.1.0.37  
À partir du software SKP version 17.1.0.37  
Desde software SKP versión 17.1.0.37  
A partir da versão software SKP 17.1.0.37



**MATRIX SX - SLX**

OPTIONAL



**D910149ZR**

Tracer point T49  
Tastatore T49  
Taster T49  
Palpeur T49  
Palpador T49  
Palpador T49



**D710150ZB**

Cutter F49  
Fresa F49  
Fräser F49  
Fraise F49  
Fresa F49  
Fresa F49

**D901074ZR**

Tracer point T3  
Tastatore T3  
Taster T3  
Palpeur T3  
Palpador T3  
Palpador T3



**D701075ZB**

Cutter F3  
Fresa F3  
Fräser F3  
Fraise F3  
Fresa F3  
Fresa F3